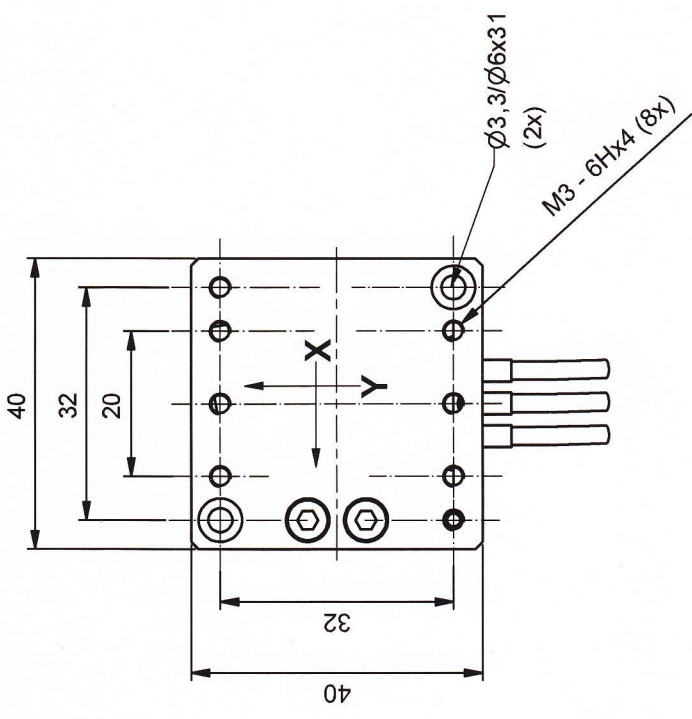
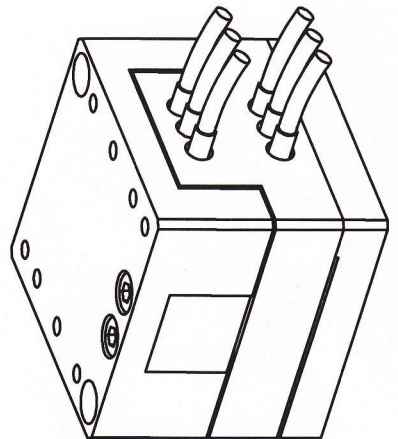
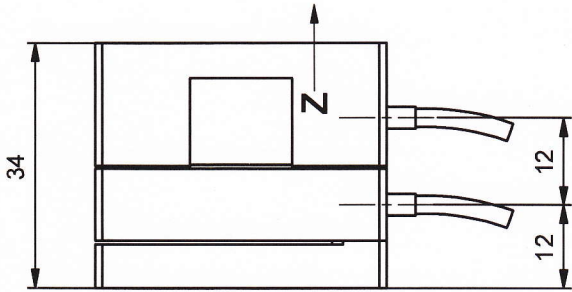
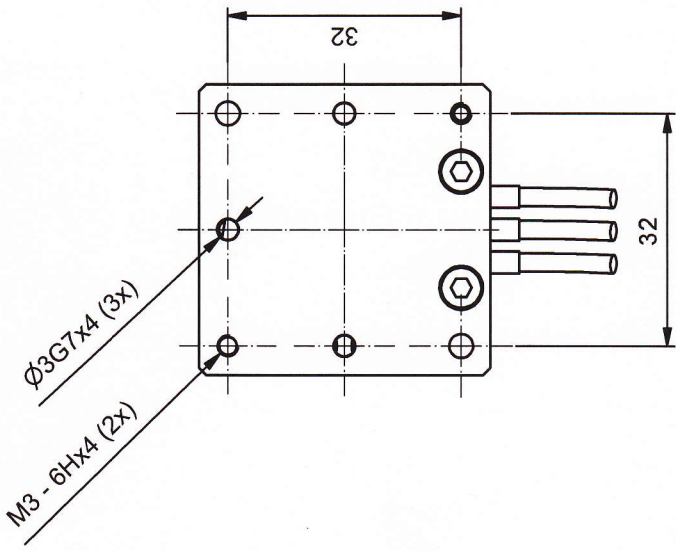


TOP



BOTTOM



ORIGINAL

part.-no.	T-403-21	part.-name	Tritor100SG Kompakt
file name	PT40321	OK: date/sign.	08. OKT. 2009
		REV	1
		scale	1:1
		customers drawing	piezosystem jena